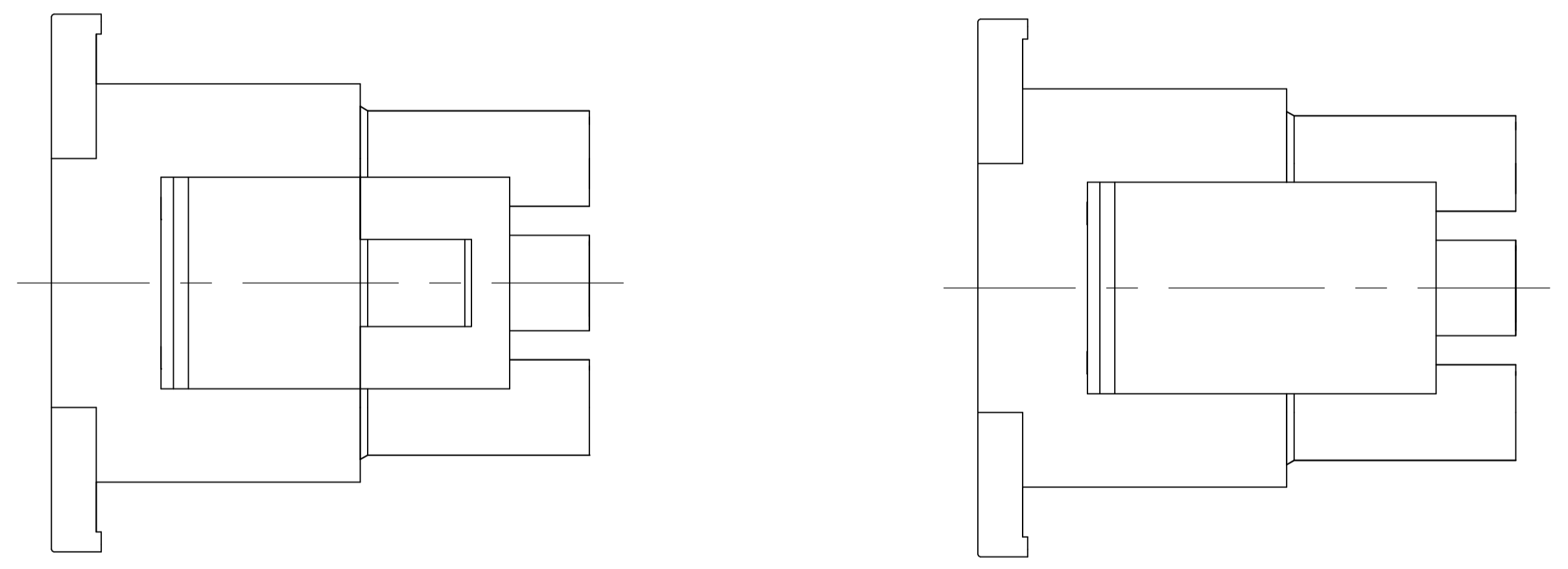
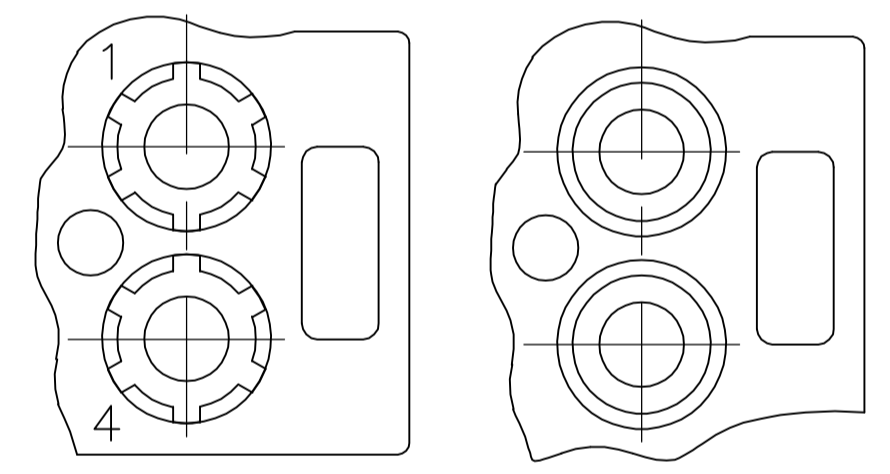


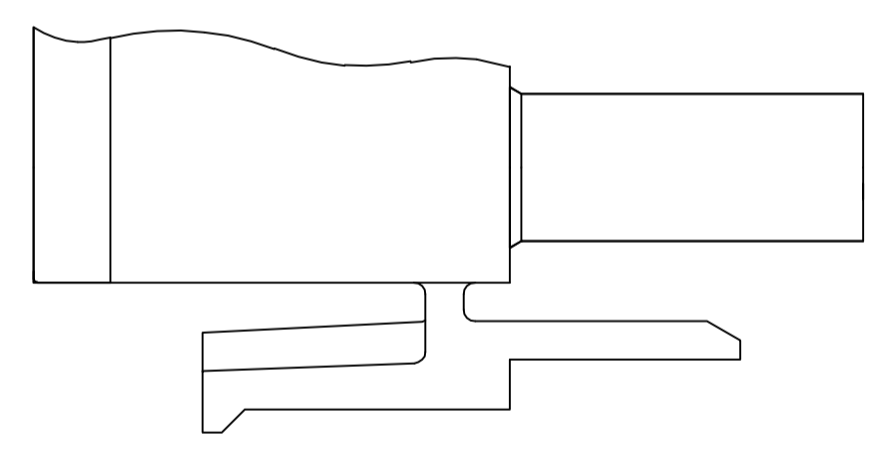
- MATES WITH APPROPRIATE UNIVERSAL MATE-N-LOK™ CAP OR HEADER.
- SMALL NICKS ARE PERMITTED ON THE CIRCUIT TOWERS WHICH COULD INCREASE THE INITIAL HOUSING MATING FORCE BY UP TO 4.4 NEWTONS [1.0 LBS]. NO INDIVIDUAL NICKED TOWER SHALL INCREASE THIS FORCE BY OVER 2.2 NEWTONS [.5 LBS].
- DIMENSION INDICATED IS AS MOLDED. ADDITIONAL GROWTH DUE TO SUBSEQUENT MOISTURE ABSORPTION MAY OCCUR.
- FOUR RIBS EQUALLY SPACED, NO SPECIFIC ORIENTATION. NO RIBS OR SIX RIBS EQUALLY SPACED, NO SPECIFIC ORIENTATION, OPTIONAL.
- NOT MANUFACTURED IN U.S.
- UNDERWRITERS RECOGNIZED COMPONENT LOGO AND CSA CERTIFICATION LOGO TO BE LOCATED ONCE EACH ON SIDE OF HOUSING.
- MANUFACTURING LOCATION ID ON SIDE OF HOUSING (OPTIONAL).
- TRADEMARK LOCATION (AMP OR TYCO).



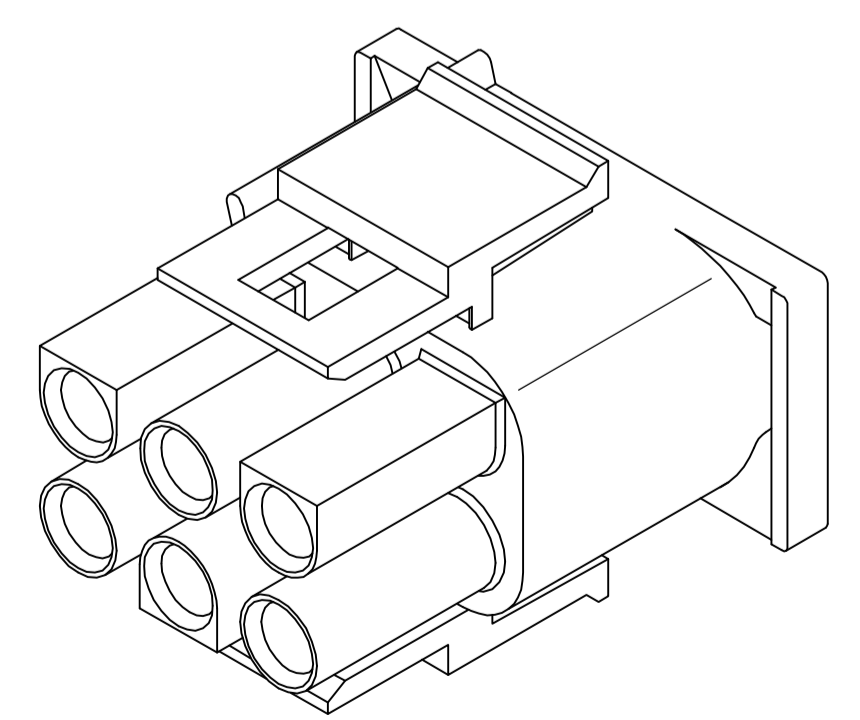
VIEW A-A
350715-4 ONLY



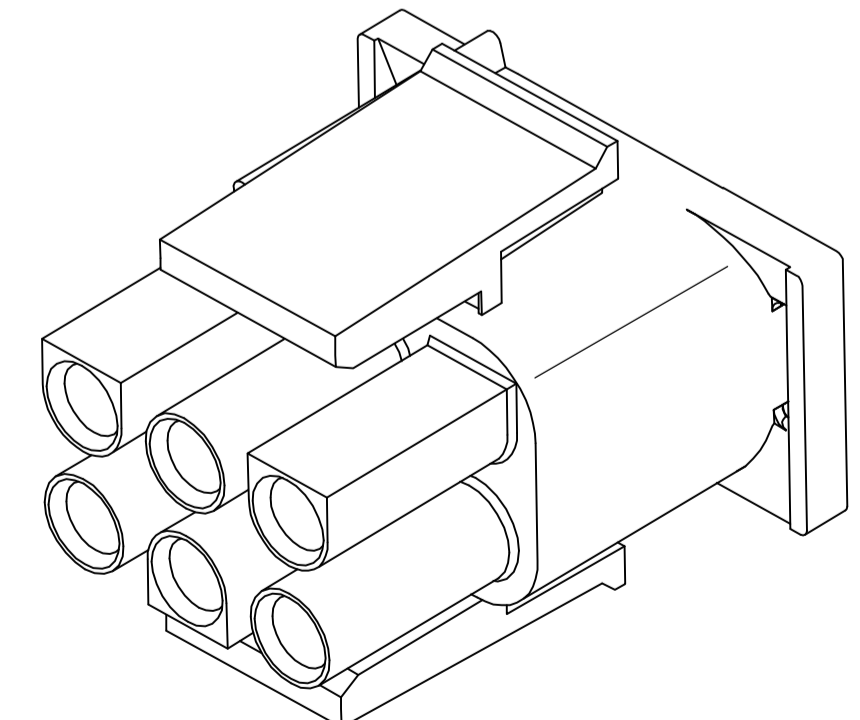
DETAIL A
OPTIONAL CONSTRUCTION



DETAIL B
350715-4 ONLY



350715-4 3-DIMENSIONAL MODEL
NTS



3-DIMENSIONAL MODEL
NTS

| | |
|---------|-------------|
| BLACK | 1-350715-9 |
| GRAY | 1-350715-8 |
| BLUE | 1-350715-6 |
| GREEN | 1-350715-5 |
| YELLOW | 1-350715-4 |
| ORANGE | 1-350715-3 |
| RED | 1-350715-2 |
| BROWN | 1-350715-1 |
| | 350715-4 |
| NATURAL | 350715-1 |
| COLOR | PART NUMBER |

METRIC

THIS DRAWING IS A CONTROLLED DOCUMENT.

| | | | |
|-----------------------------|---|--|--|
| DIMENSIONS: mm [INCHES] | TOLERANCES UNLESS OTHERWISE SPECIFIED: 0 PLC ± - 1 PLC ± - 2 PLC ± 0.13 [.005] 3 PLC ± - 4 PLC ± - ANGLES ± - | DIN S. HOOVER 14APR04 CHK S. RIDGILL 14APR04 APVD S. RIDGILL 14APR04 | tyco Electronics Tyco Electronics Corporation Harrisburg, Pa 17105-3608 |
| MATERIAL NYLON, UL 94V-0 | FINISH - | SIZE A1 | NAME PLUG, 6 CIRCUIT, UNIVERSAL MATE-N-LOK(TM) |
| CUSTOMER DRAWING | | SCALE 4:1 | RESTRICTED TO SHEET 1 OF 1 REV Y1 |